



**Specifications**

Electrical Ratings	50mA @ 48VDC
Electrical Life	500,000 cycles typical
Contact Resistance	<50mΩ initial
Actuation Force	160 ± 50gF 200 ± 50gF 260 ± 50gF
Actuator Travel	.28mm +.20mm / -.10mm

Dielectric Strength	250Vrms min
Insulation Resistance	>100MΩ min
Operating Temperature	-40°C to 85°C
Storage Temperature	-40°C to 85°C
Quantity per reel	4.3mm = 1K pieces per reel 5.0mm = 1K pieces per reel 7.3mm = 700 pieces per reel

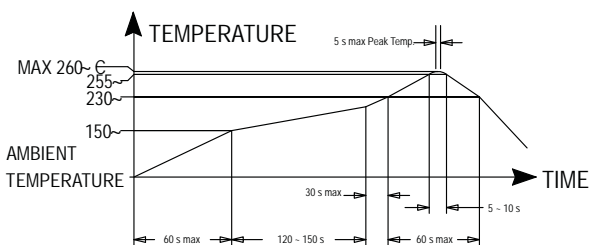
**Materials**

Actuator	6T Nylon
Actuator Cover	Brass, Tin Plated
Switch Housing	PPS, R4-230NA
Seal	Silicon, Rubber
Contacts	Stainless Steel, Silver Plated
Terminals	Copper Alloy, Silver Plated

**Ordering Information**

1. Series	STR	5.0	L	F200	Q	G
STR						
2. Actuator Height						
4.3 = 4.3mm						
5.0 = 5.0mm						
7.3 = 7.3mm						
3. Contact Options						
L = Stainless Steel Dome						
4. Actuation Force						
F160 = 160gF						
F200 = 200gF						
F260 = 260gF						
5. Contact Material						
Q = Silver plated contacts						
6. Terminal Options						
G = Gull Wing						

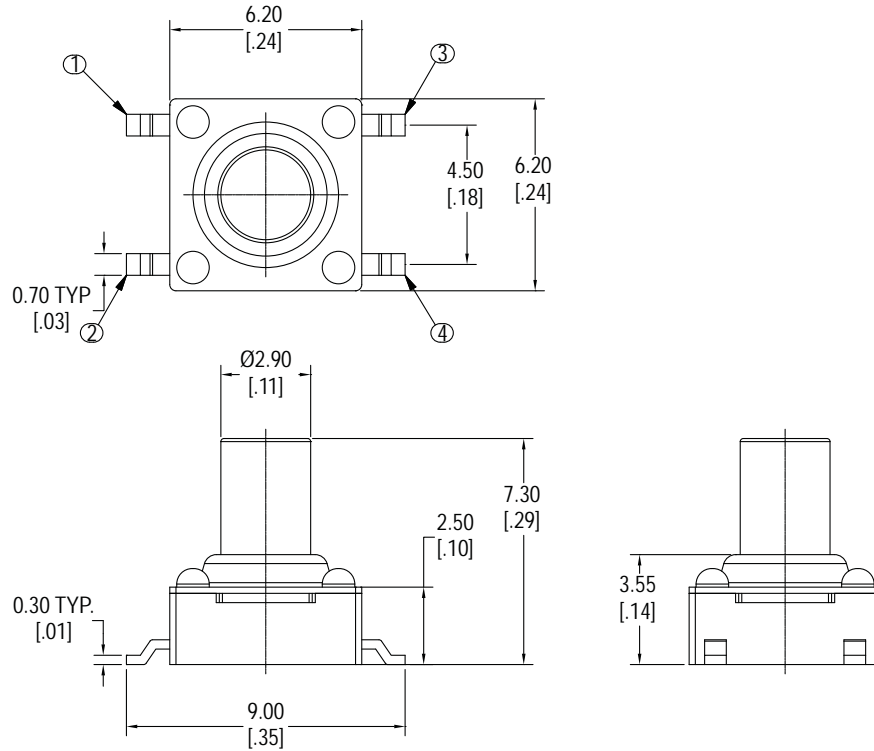
**Recommended Reflow Soldering Diagram**



# STR

Surface Mount, Process Sealed Tactile

## Dimensions



## Schematic & PC Layout

